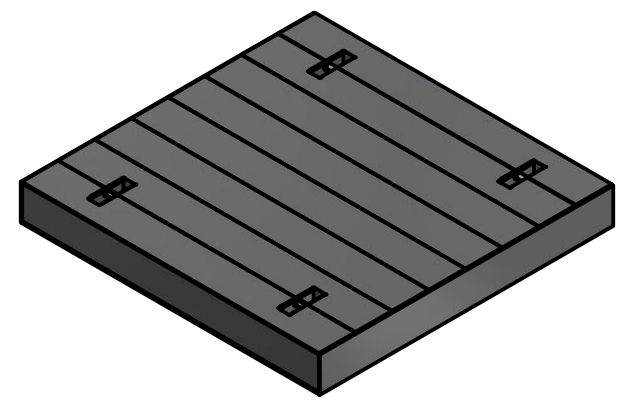
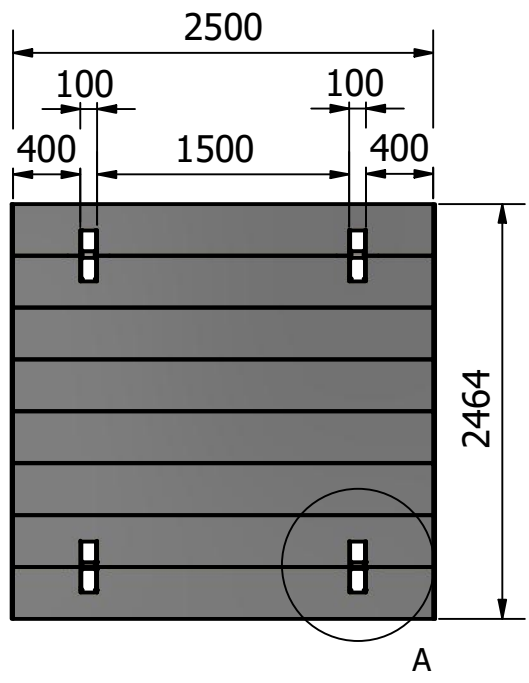
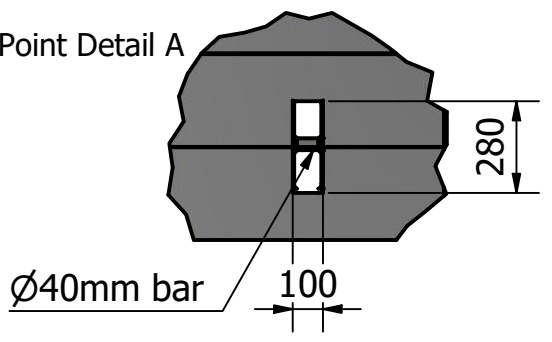



Eight 305x305x79UBPs
 Ends and sides plated
 All sections and plates fully welded
 Mass approx. 1750kg
 All dims in mm



Lift Point Detail A



DESIGNED BY SK	CHECKED BY PK	APPROVED BY DMG	DATE 10/02/2020	DATE 10/02/2020	
		www.SteelMatHire.co.uk mats@dawsonwam.co.uk Tel: 02891 452322		2.5m Steel Mat with Internal Lift Points	
CUSTOMER COPY			ISSUE	SHEET 1 / 1	