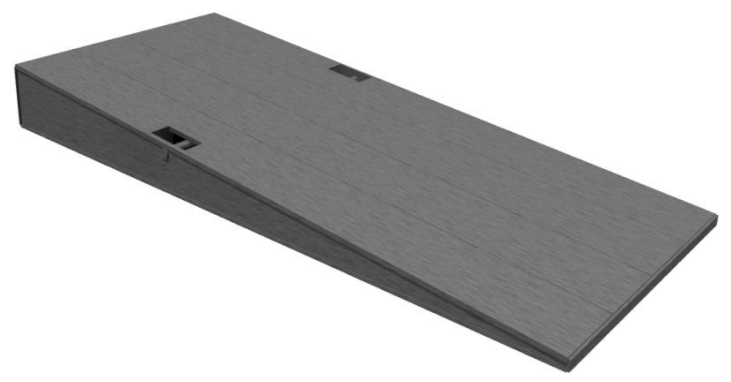
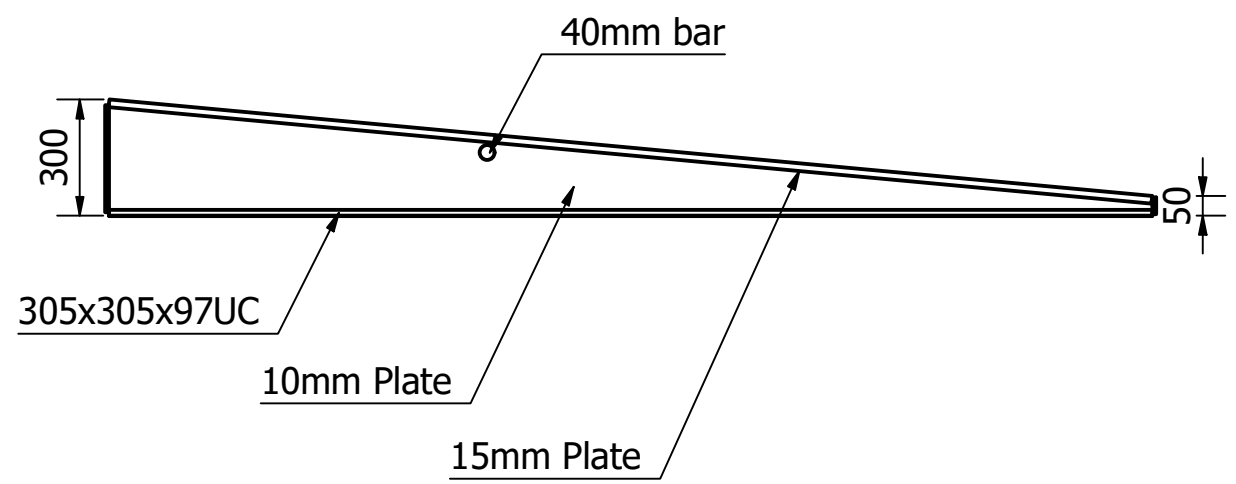



Four diagonal cut S355 305x305x97UCs  
 Top plate 15mm  
 Ends and sides 10mm plate  
 Mass approx 1100kg  
 Slope 1/10, 10%, 5'  
 All dim in mm



DESIGNED BY SK	CHECKED BY PK	APPROVED BY DMcG	DATE	DATE 25/11/2020	
 www.SteelMatHire.co.uk mats@dawsonwam.co.uk Tel: 028 9131 2522		Steel Mat Hire Accessories			
		Ramp 2.78m x 1.23m	ISSUE	SHEET 1 / 1	